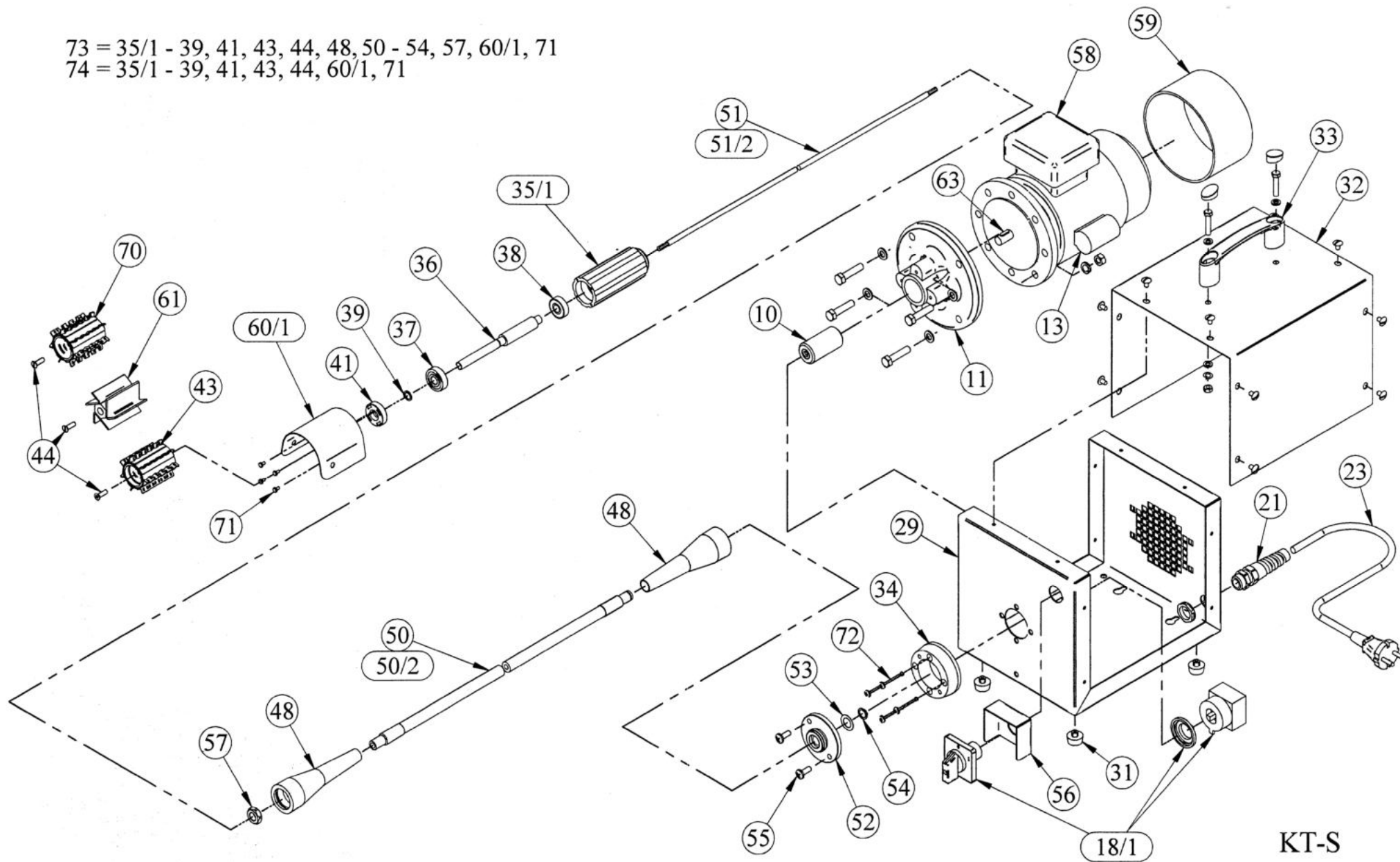


73 = 35/1 - 39, 41, 43, 44, 48, 50 - 54, 57, 60/1, 71  
74 = 35/1 - 39, 41, 43, 44, 60/1, 71



KT-S