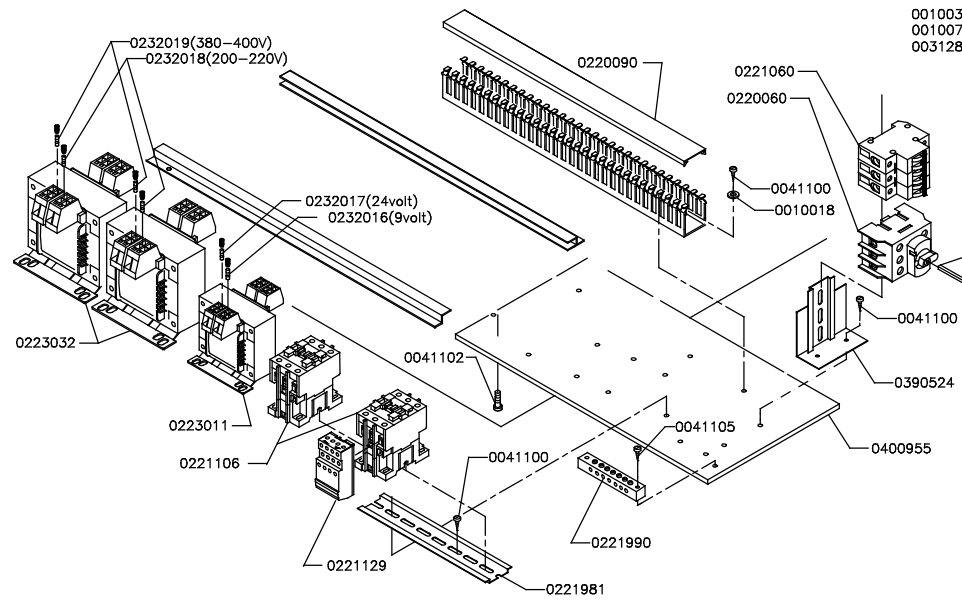
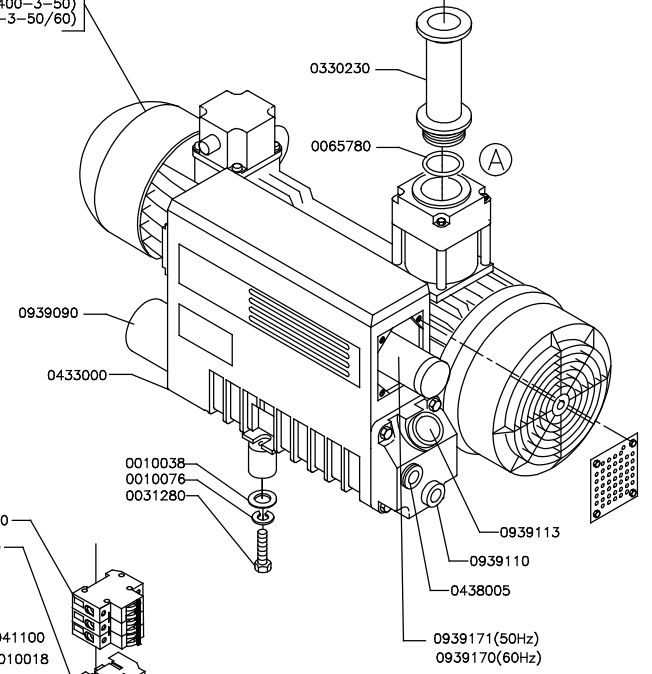


- 0433010(220-240-1-50)
- 0433500(220-230-1-60)
- 0433000(230-400-3-50)
- 0433700(190-210/380-420-3-50/60)



Scale:	Name:	Exploded View MARLIN 52
Date: Jan 2009		
Drawn by: MD		
A 4		Drawing: Page 1-2
Rev, no: 070		
<small>Copyright © 2009. All rights reserved. Reproduction or distribution in any form is not permitted without written permission of the owner.</small>		

