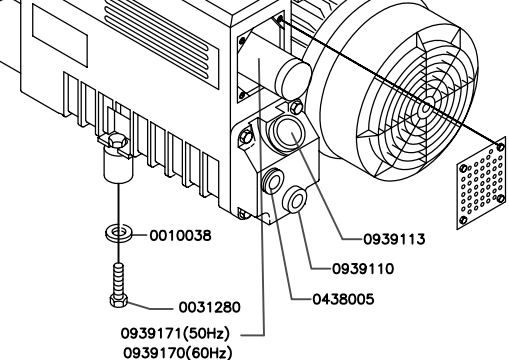
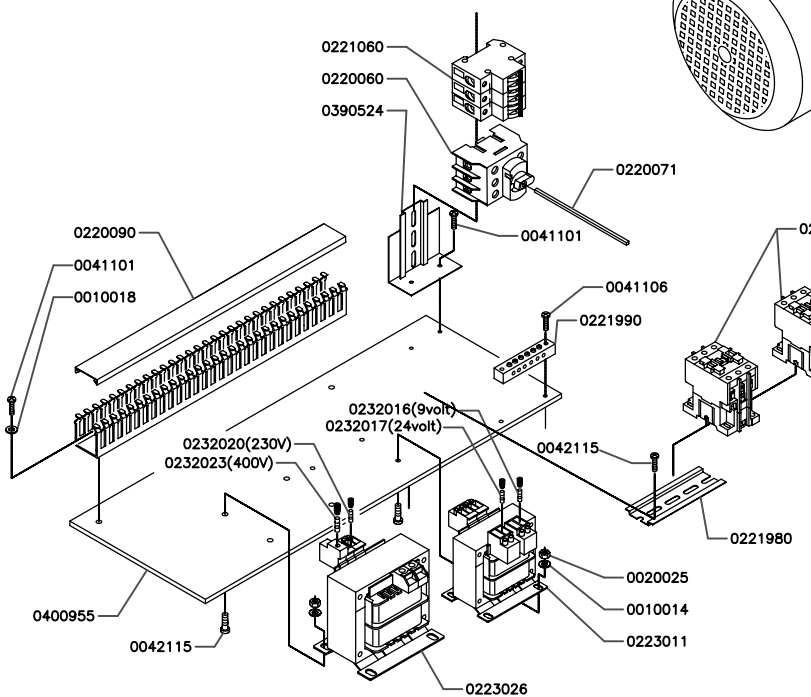
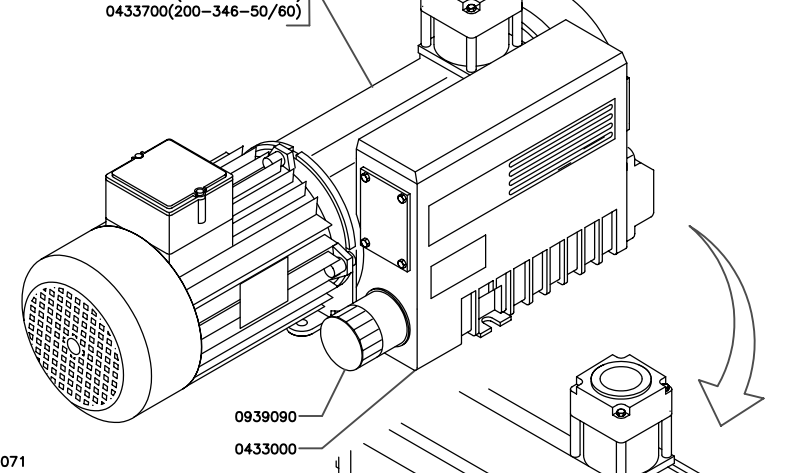
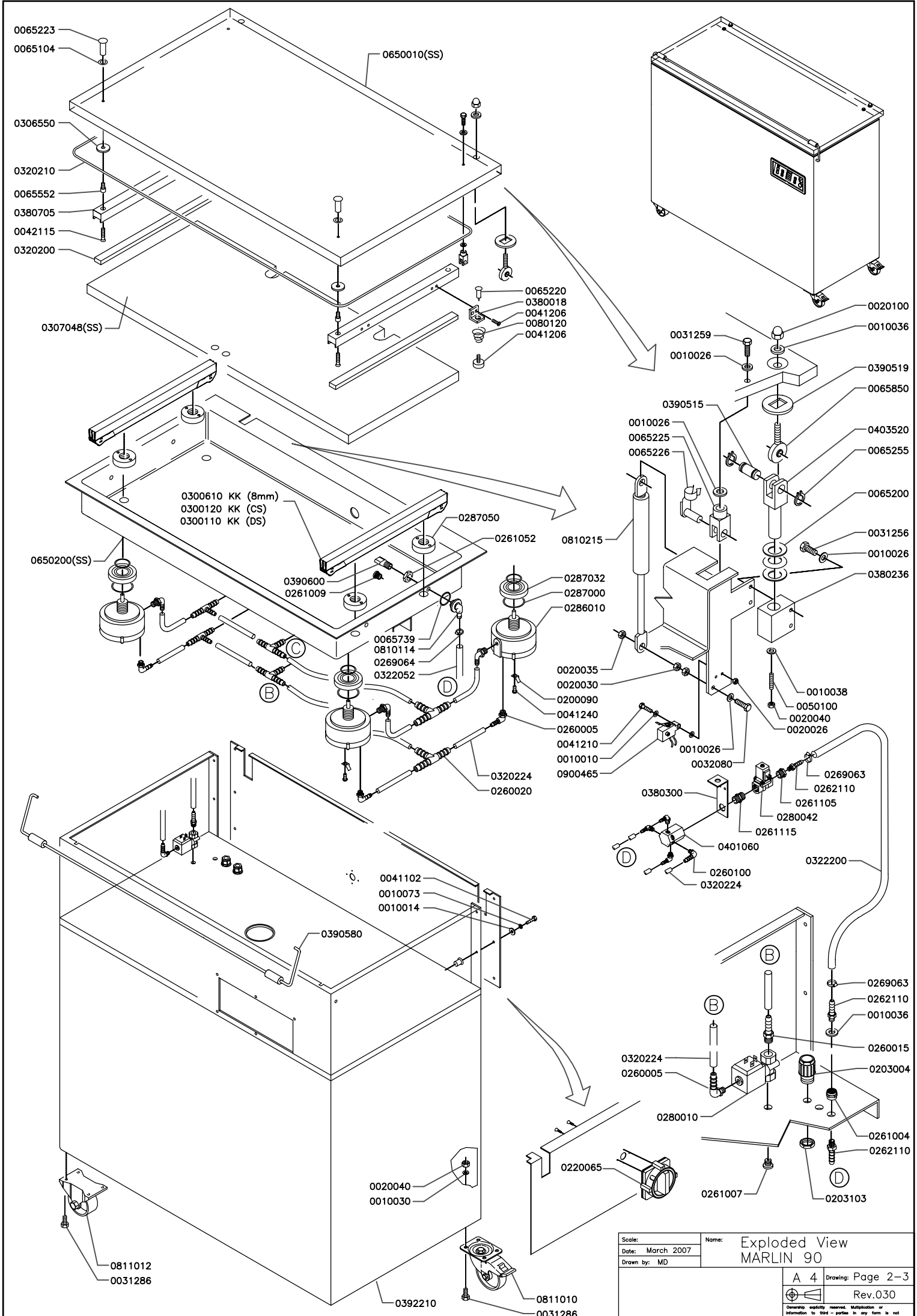


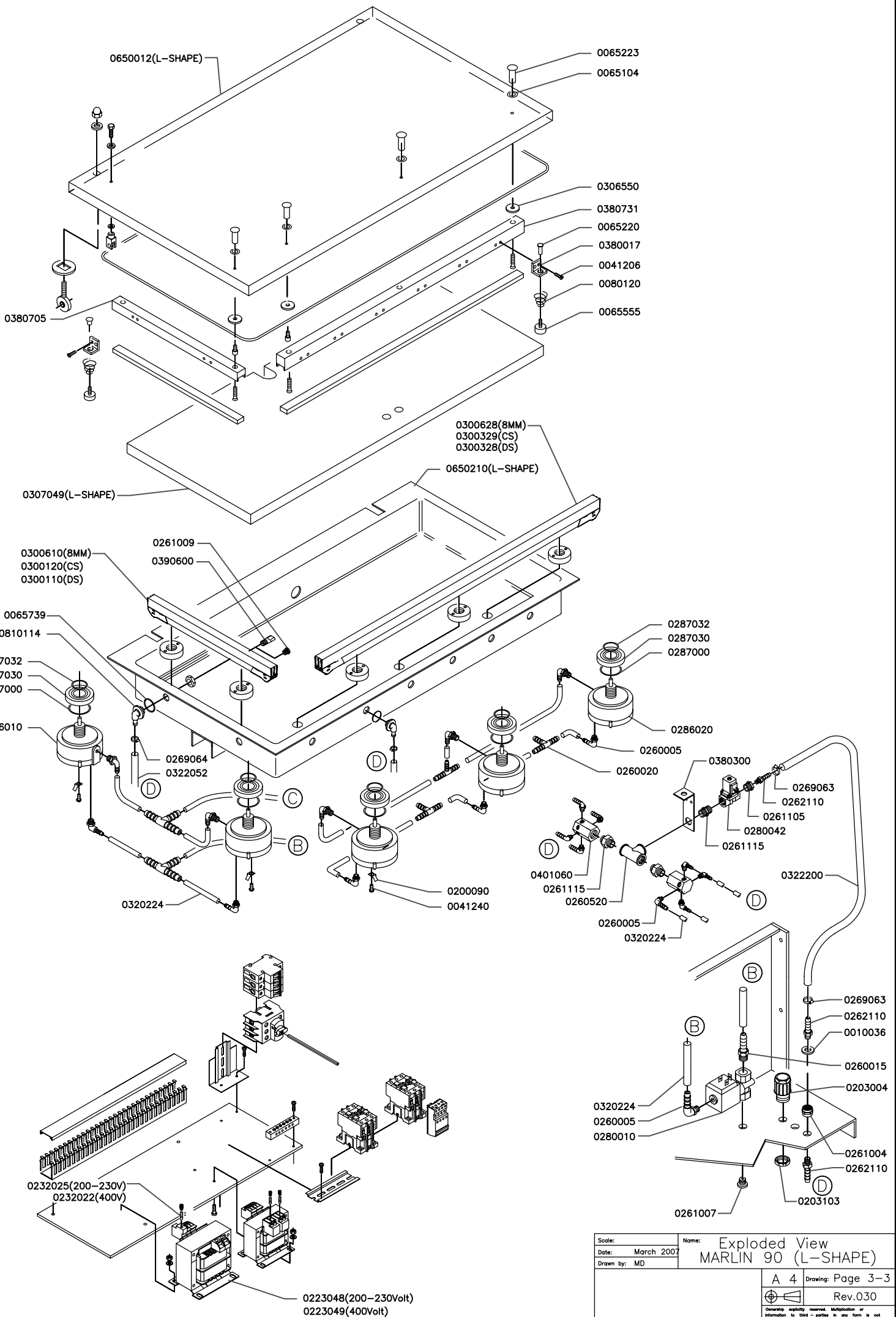
- 0433500(220-1-60)
- 0433010(220-240-1-50)
- 0433000(230-400-3-50)
- 0433700(200-346-50/60)



Scale:	Name: Exploded View
Date: Jan 2009	MARLIN 90
Drawn by: MD	
A 4 Drawing: Page 1-3	
Rev.030	
Ownership explicitly reserved. Multiplication or information to third parties in any form is not permitted without written permission of the owner.	



Scale:	Name:
Date: March 2007	Exploded View
Drawn by: MD	MARLIN 90
A 4 Drawing: Page 2-3	
Rev.030	
<small>Ownership explicitly reserved. Multiplication or information to third parties in any form is not permitted without written permission of the owner.</small>	



Scale:	Name: Exploded View
Date: March 2007	MARLIN 90 (L-SHAPE)
Drawn by: MD	
A 4 Drawing: Page 3-3	
Rev.030	
Ownership explicitly reserved. Multiplication or information to third parties in any form is not permitted without written permission of the owner.	