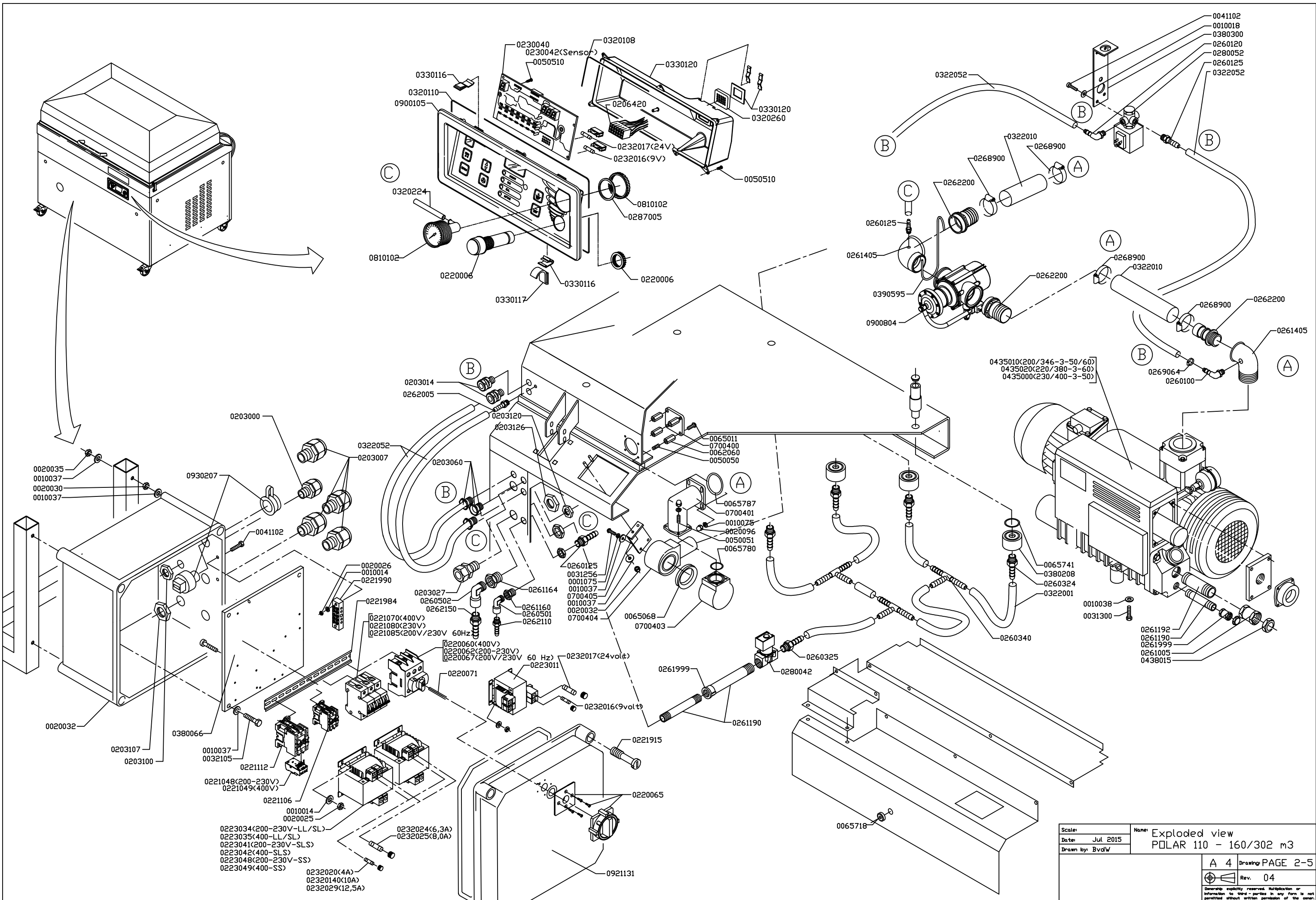
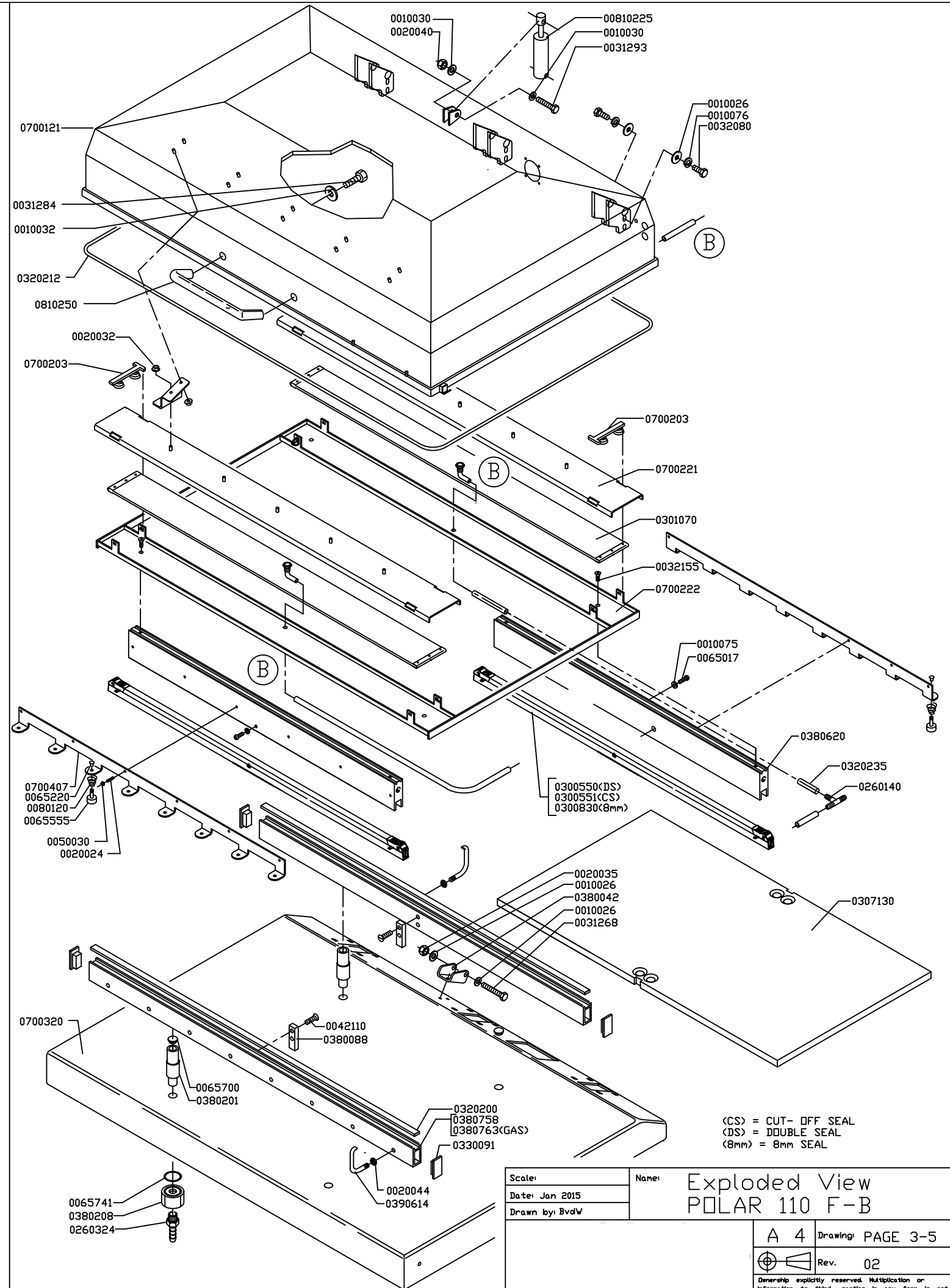
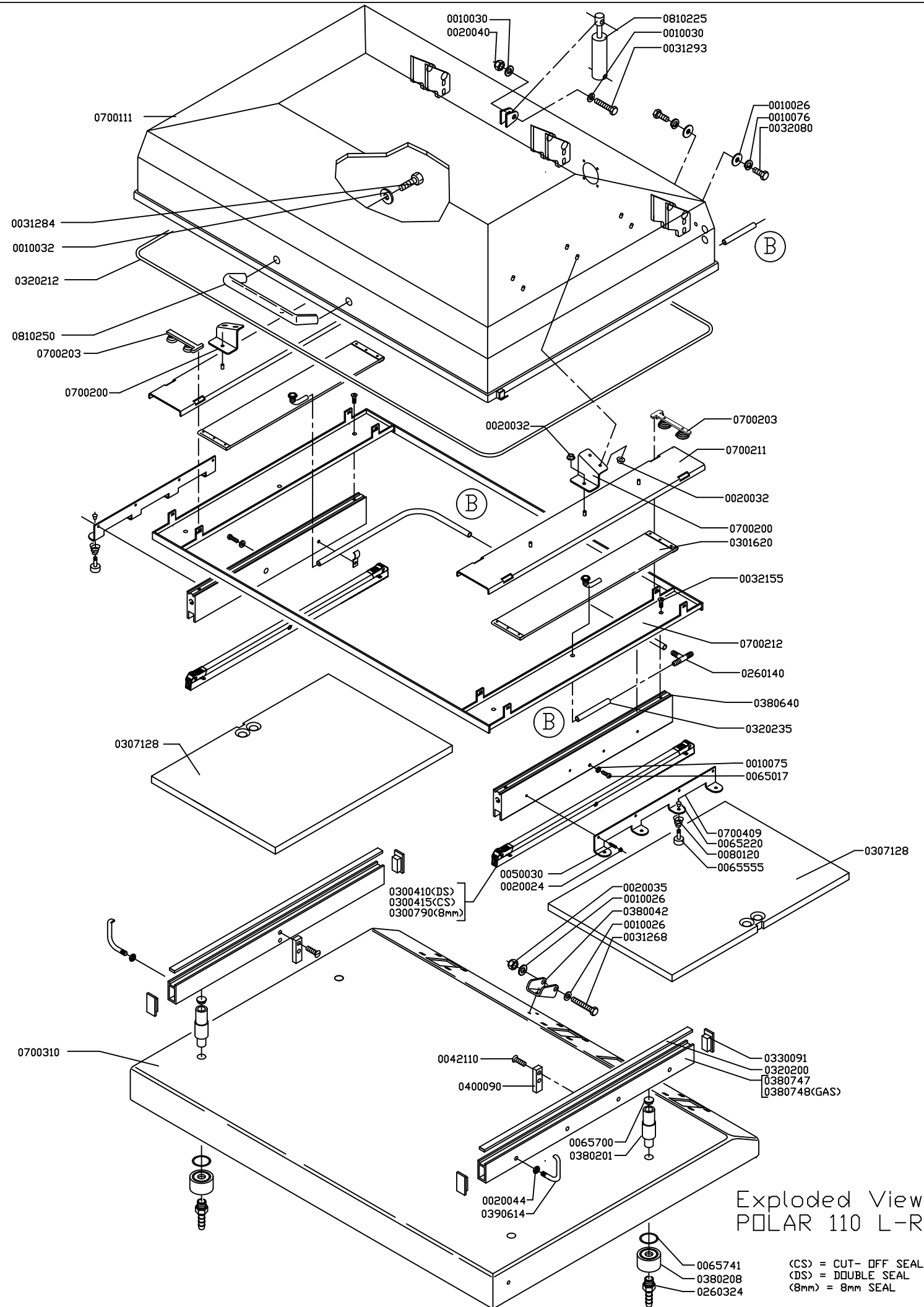
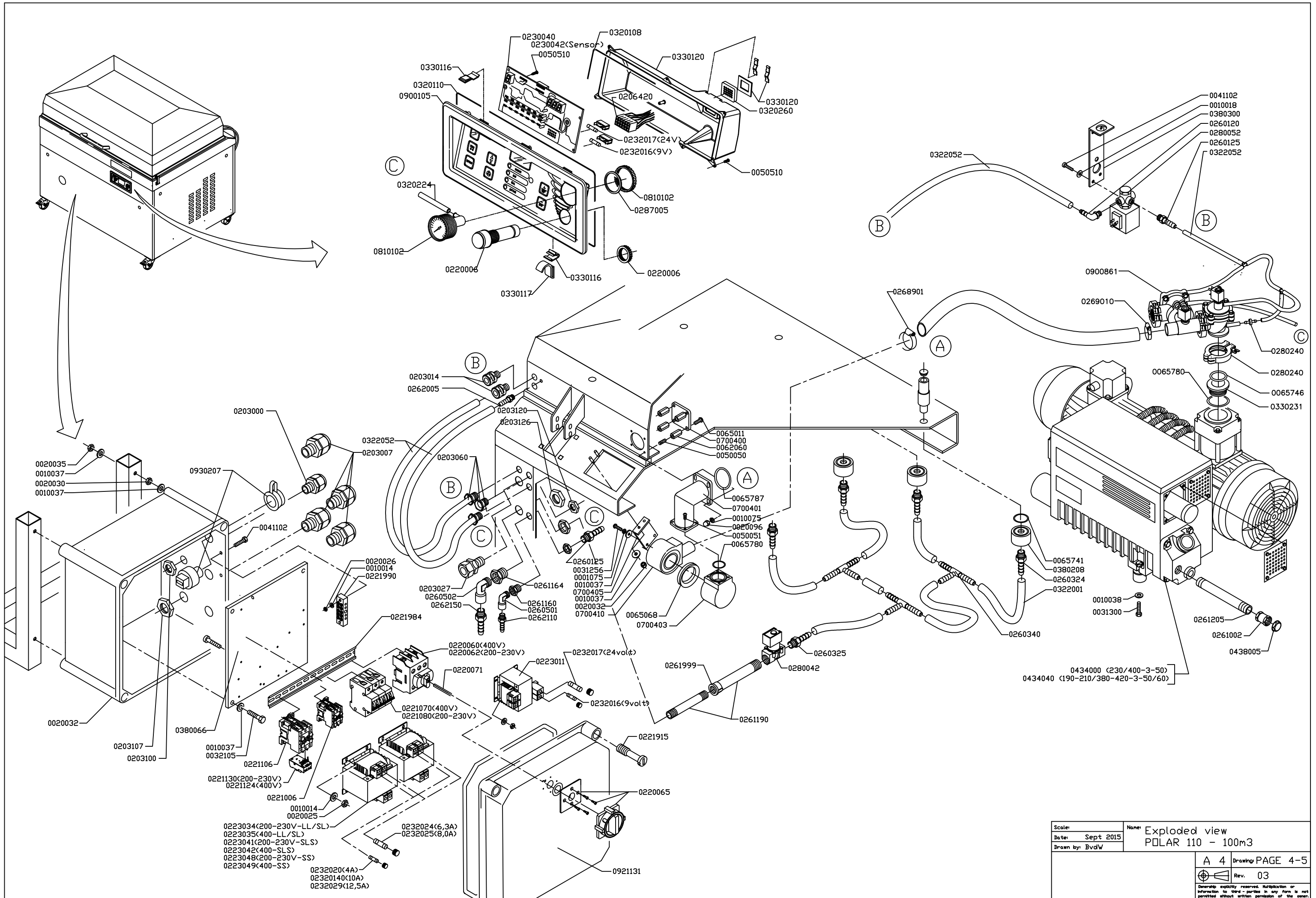


Scale:	Name: Exploded View POLAR 110 F-R
Date: Jan 2015	
Drawn by: BvdW	
A 4	Drawing: PAGE 1-5
Rev. 02	
Ownership explicitly reserved. Multiplication or information to third parties in any form is not permitted without written permission of the owner.	

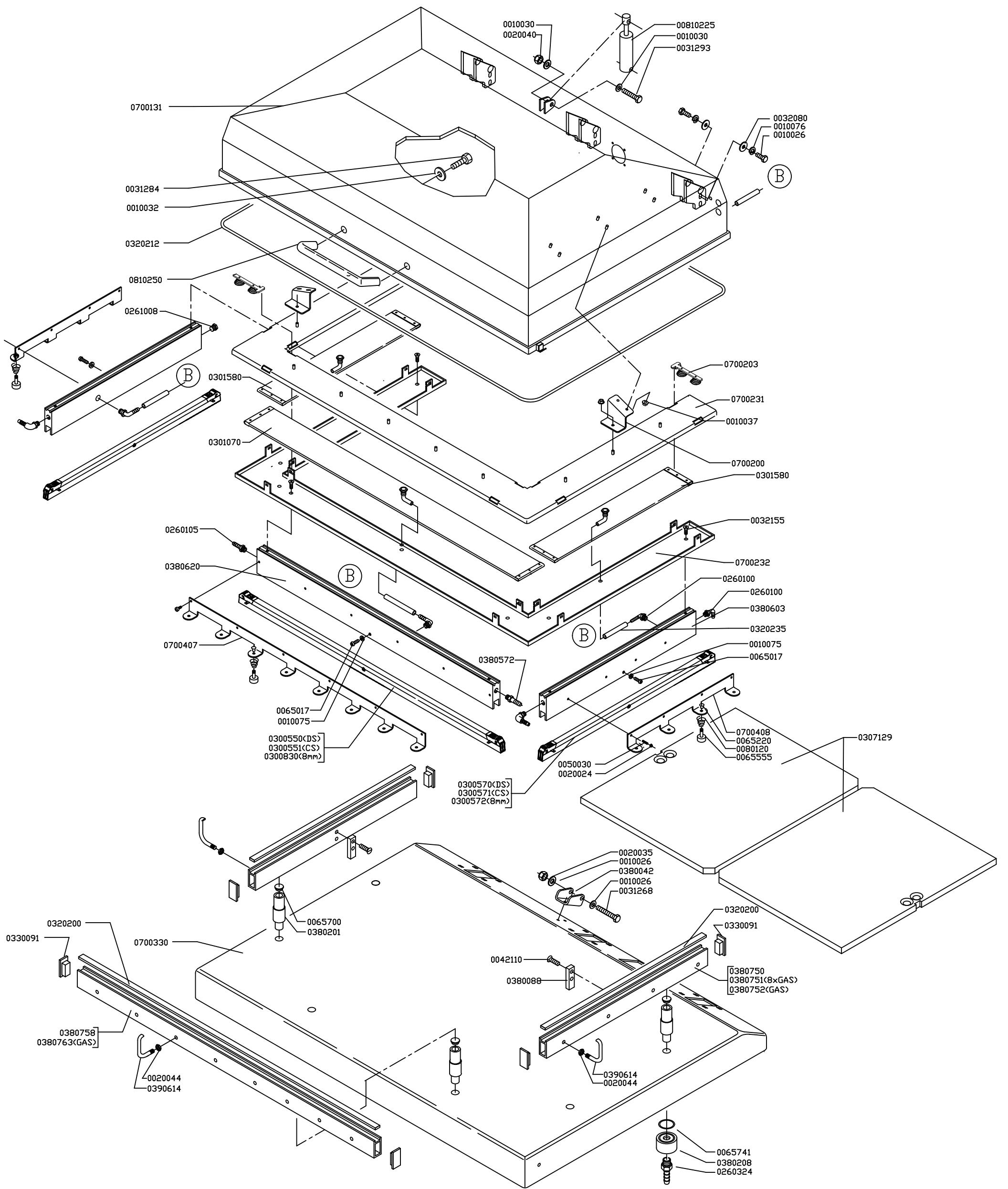




Scale:	Name:	Exploded View POLAR 110 F-B
Date: Jan 2015	Drawn by: BvdW	
A 4		Drawing: PAGE 3-5
Rev. 02		
<small>Ownership explicitly reserved. Multiplication or information to third parties in any form is not permitted without written permission of the owner.</small>		



Scale:	Name:	Exploded view	
Date:	Sept 2015	POLAR 110 - 100m3	
Drawn by:	BvdW	A 4	Drawing PAGE 4-5
		Rev.	03
<small>Copyright explicitly reserved. Reproduction or information to third parties in any form is not permitted without written permission of the owner.</small>			



(CS) = CUT-OFF SEAL
 (DS) = DOUBLE SEAL
 (8mm) = 8mm SEAL

Scale:	Name:	Exploded View POLAR 110 L-F-R
Date: Jan 2015		
Drawn by: BvdW		
		A 4 Drawing: PAGE 5-5
		Rev. 02
<small>Ownership explicitly reserved. Multiplication or information to third parties in any form is not permitted without written permission of the owner.</small>		