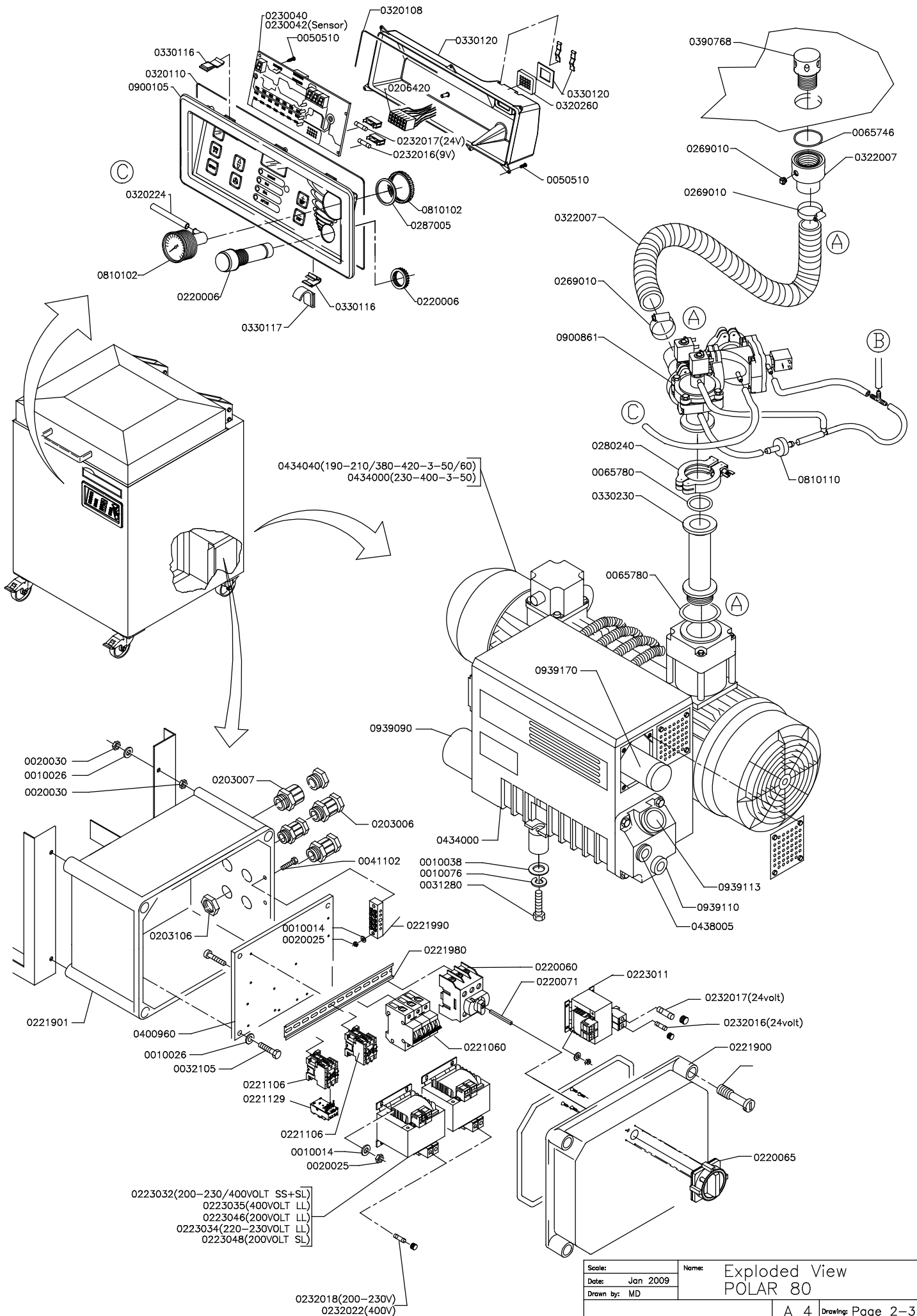


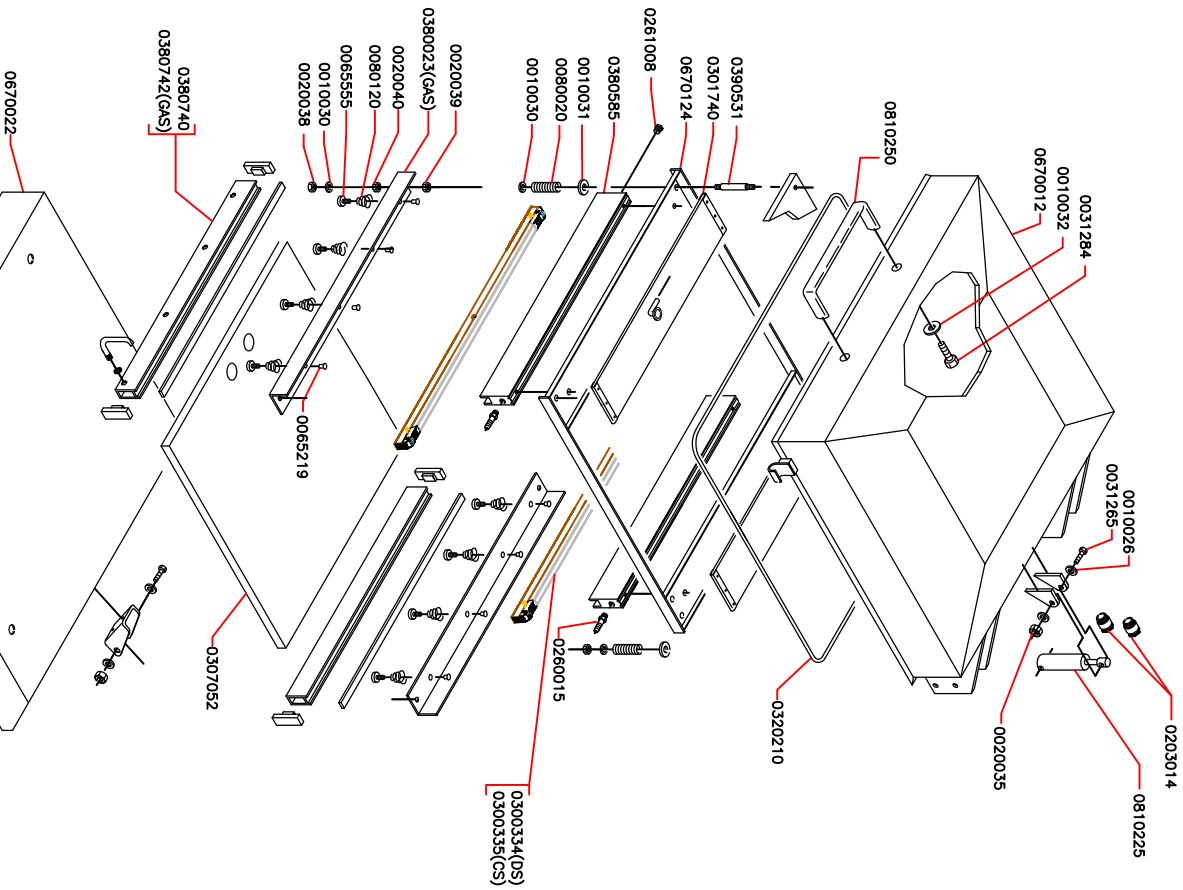
(CS) = CUT-OFF SEAL  
(DS) = DOUBLE SEAL

Scale:	Name: Exploded View POLAR 80 L-SHAPE
Date: Jan 2009	
Drawn by: MD	
A 4 Drawing: Page 1-3	
Rev, no: 030	
Ownership explicitly reserved. Multiplication or information to third parties in any form is not permitted without written permission of the owner.	

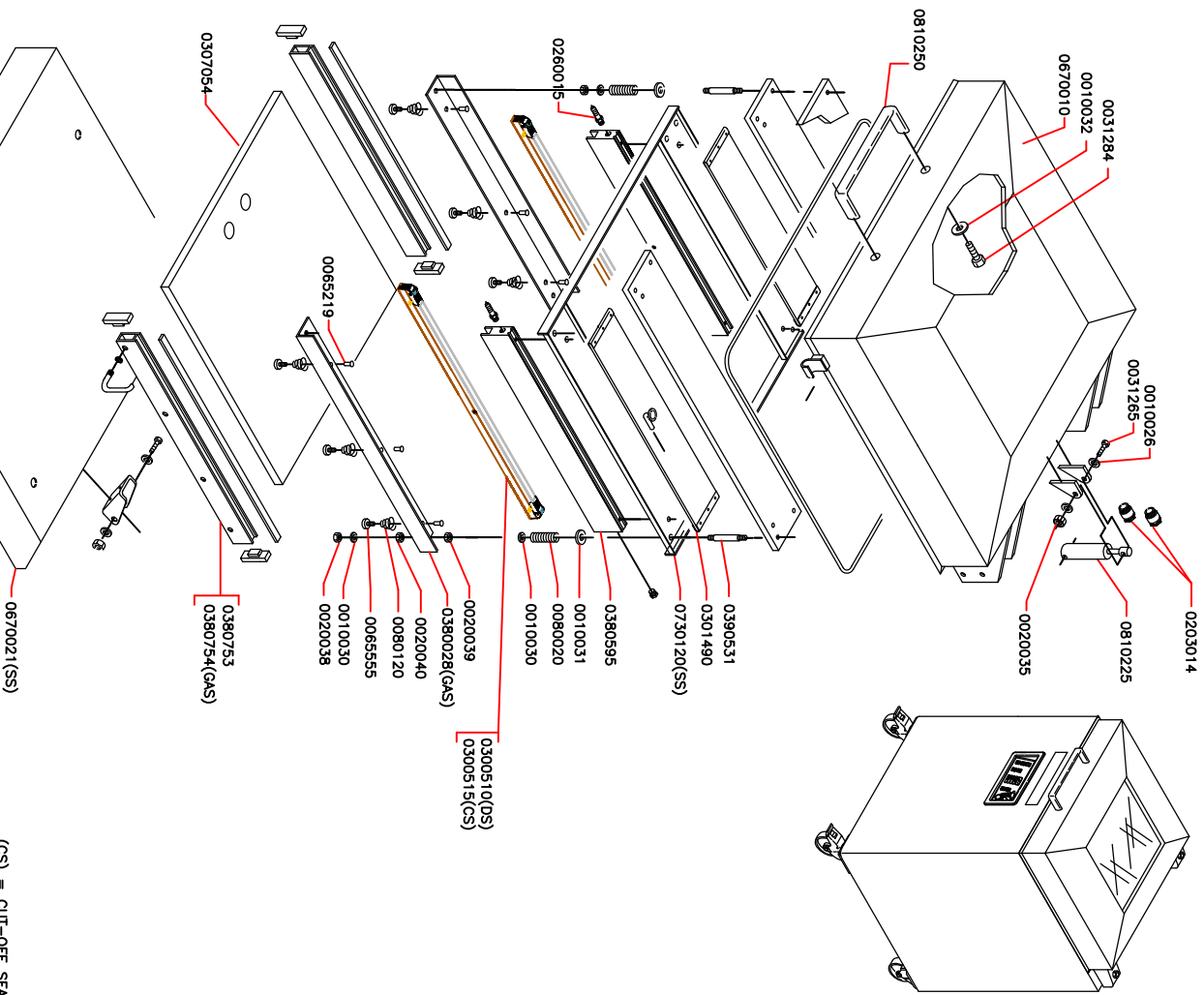


Scale:	Name:	Exploded View POLAR 80
Date: Jan 2009		
Drawn by: MD		
A 4		Drawing: Page 2-3
Rev, no: 030		
<small>Ownership explicitly reserved. Multiplication or information to third parties in any form is not permitted without written permission of the owner.</small>		

(LL)



(SS)



(CS) = CUT-OFF SEAL  
 (DS) = DOUBLE SEAL

Name: Exploded View  
 Date: Jan 2009  
 Drawn By: MD  
 POLAR 80 SEAL CONFIG

A 4 Drawing: Page 3-3  
 Rev, no: 030

Checkmate cutting, removal, installation or  
 maintenance of this seal is not to be done  
 without proper training and supervision.